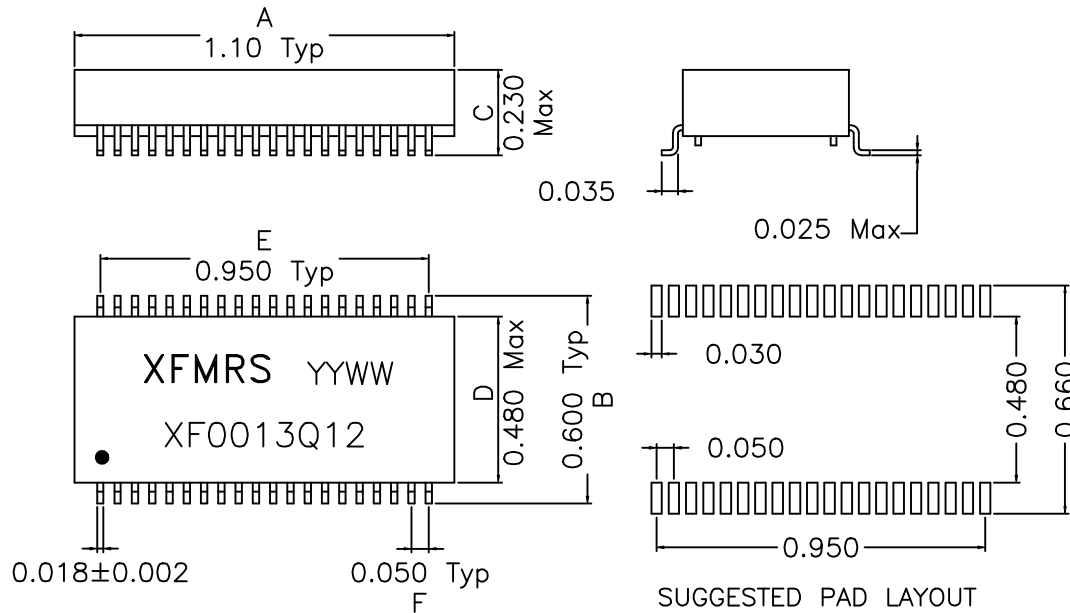
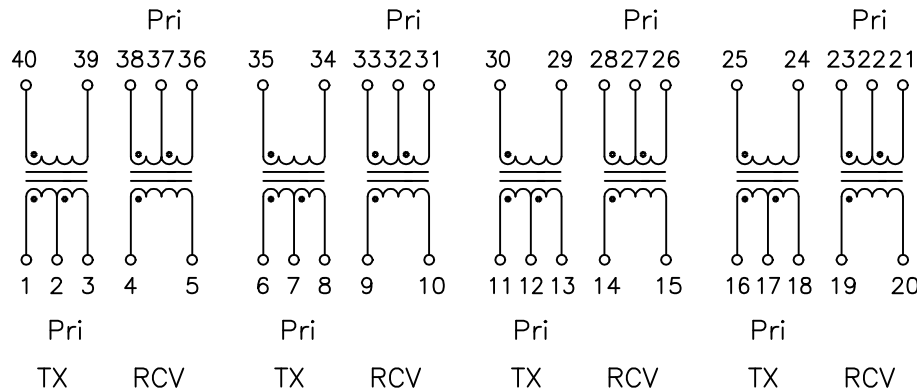


### 1. Dimensions:



### 2. Schematic:



DOC. REV: A/1

### 3. Electrical Specifications: @25°C

- Isolation: 1500 Vrms (PRI to SEC)
- TX Turns Ratio: 1CT:1±3% (PRI:SEC)
- RCV Turns Ratio: 1CT:1 ±3% (PRI:SEC)
- TX PRI OCL: 1.20mH Minimum @100KHz 50mV
- RCV PRI OCL: 1.20mH Minimum @100KHz 50mV
- Cw/w: 35pF Maximum @100KHz 50mV (PRI/SEC)
- TX PRI LL: 0.6uH Maximum @100KHz 50mV (SEC Shorted)
- RCV PRI LL: 0.6uH Maximum @100KHz 50mV (SEC Shorted)
- CMRR: -70dB Min (150KHz-1GHz)
- R.L.: 12dB Min
- I.L.: 1.2dB Max
- Longitudinal Balance: TBD

#### Notes:

- Solderability: Leads shall meet MIL-STD-202, Method 208D for solderability.
- Flammability: UL94V-0
- ASTM oxygen index: > 28%
- Insulation System: Class F 155°C. UL file E151556
- Operating Temperature Range: All listed parameters are to be within tolerance from -40°C to +85°C
- Storage Temperature Range: -55°C to +125°C
- Aqueous wash compatible

<b>XFMRS Inc</b>	Title: T1/E1/CEPT QUAD PORT	
	UNLESS OTHERWISE SPECIFIED	P/N: XF0013Q12 REV. A
	TOLERANCES: .xxx ±0.010	DWN. 李小锋 Mar-20-02
	Dimensions in INCH	CHK. 廖玉坤 Mar-20-02
SHEET 1 OF 1	APP. BW	Mar-20-02